



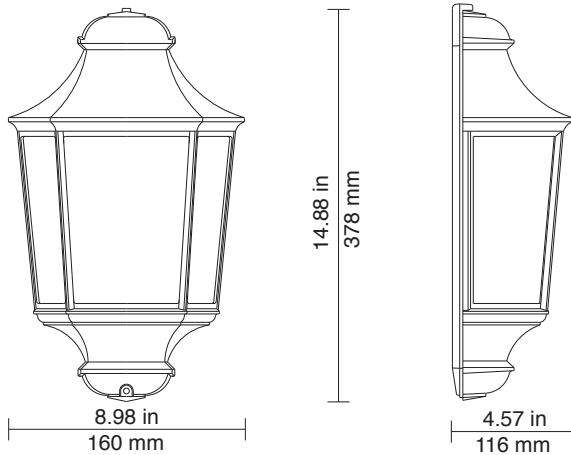


# Village

A413.2 aluminum alloy is used for strength, resistance to corrosion and reduced weight. Seven stage chromate surface treatment provides a permanent bond between metal and UV resistant polyester coating. 304, 316 stainless steel hardware Meets or exceeds UL 1598 for wet location. Call Barbican Architectural Products for details.

Combine your project with other similar designs in different sizes.

- Boulevard
- Avenue
- Tenerife
- Classic
- City
- Torino



## COLOUR OPTIONS - VILLAGE

### STANDARD

- BLK Textured Black
- BRZ Textured Bronze
- WHT Textured White

### PREMIUM

- GRA Textured Graphite
- PAT Patinated Green
- RALG Dark Green
- SIL Textured Silver

Custom Colours please contact the factory for TIGER DRYLAC color charts.  
www.Barbican.ca or 1-800-663-5781

## MOUNTING OPTIONS - VILLAGE

- S Surface Wall Mount

## LENS OPTIONS - VILLAGE

- PT Polycarbonate Tinted Lens
- PO Polycarbonate Opal Lens

## LIGHT SOURCES - VILLAGE

- INC 60 60W Incandescent Medium Base A23 120v
- CFL 18 to 26 Compact Fluorescent four pin base electronic ballast 120v, 208v, 240v, 277v, 347v



The Vio High Power White LED source is now available for this luminaire. Vio LEDs provide a diffused, warm-white color that meets the high standards of lighting professionals. Vio LEDs feature minimal part-to-part color variation, with less than 100 Kelvin color shift over 50,000 hours of rated life. The result is stable, uniform light similar to a soft white incandescent lamp that enables lighting designers to create a look that lasts. Call Barbican Architectural Products for details.



# noral