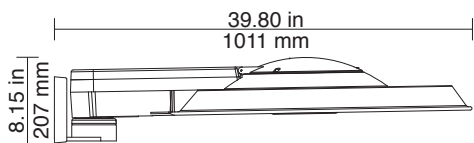




O.Disk

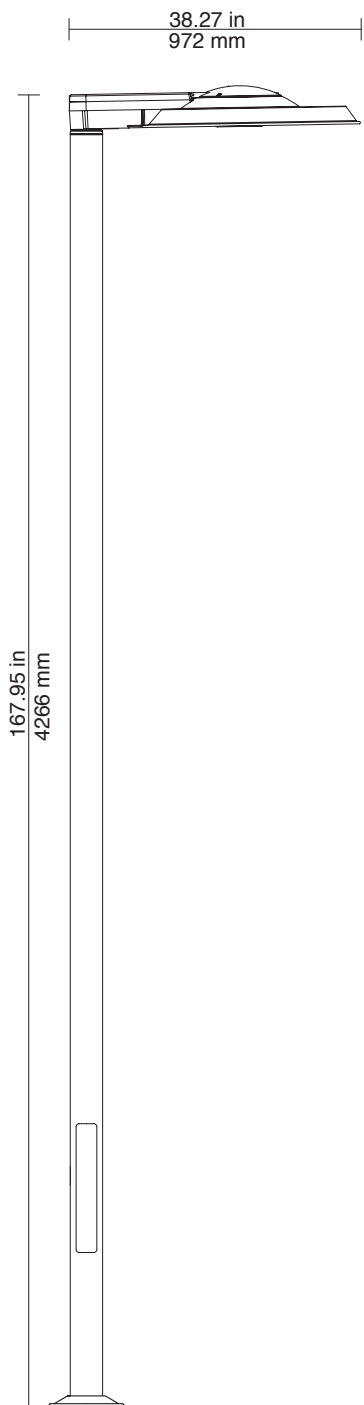


A413.2 aluminum alloy is used for strength, resistance to corrosion and reduced weight. Seven stage chromate surface treatment provides a permanent bond between metal and UV resistant polyester coating. 304, 316 stainless steel hardware Meets or exceeds UL 1598 for wet location. Call Barbican Architectural Products for details.

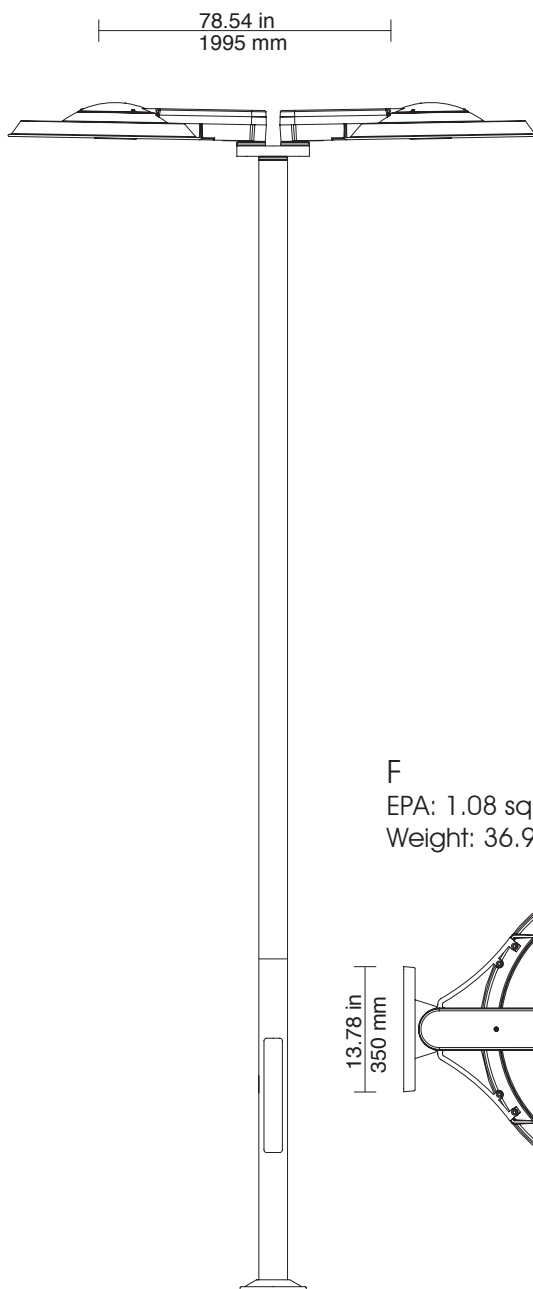
Combine your project with other similar designs in different sizes.

- O.Disk Mini

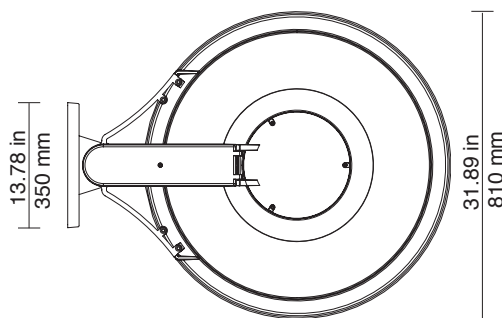
11
EPA: 1.08 sq. ft.
Weight: 34.92 lbs.



12
EPA: 2.16 sq. ft.
Weight: 71.94 lbs.



F
EPA: 1.08 sq. ft.
Weight: 36.91 lbs.



noral®

O. Disk



MOUNTING - O. DISK

F	Wall Arm
I1	Single Post Top
I2	Twin Post Top

* Custom Mounting Available Contact Factory

LIGHT SOURCES - O. DISK

MH 70 or 150 Metal Halide Medium Base T-6 HPF Electronic
120v, 277v

NOTE: Add 8lbs. per head for HID Source.
All ballast/optic combinations may not be available in all
mountings. Call factory.

LENS OPTIONS - O. DISK

CCTG Clear Cast Tempered Glass

COLOUR OPTIONS - O. DISK

STANDARD

BLK	Textured Black
BRZ	Textured Bronze
WHT	Textured White

PREMIUM

GRA	Textured Graphite
PAT	Patinated Green
RALG	Dark Green
SIL	Textured Silver

Custom Colours please contact the factory for
TIGER DRYLAC color charts.
www.Barbican.ca or 1-800-663-5781

O. Disk



ACCESSORIES - O. DISK

- BA Single banner arm
- BA2 Twin banner arm
- GF1 Ground fault receptacle in post base
- LB Ladder bar
- PH Photo cell

OPTICS - O. DISK

- RAS Hydro formed type III cutoff reflector
- SYM Symmetrical



ORDER EXAMPLE

Luminaire	Mounting	Source	Voltage	Optics	Lens	Finish	Accessories
O. Disk	I2	MH 70	277	SYM	RAS	SIL	GF1
O. Disk							