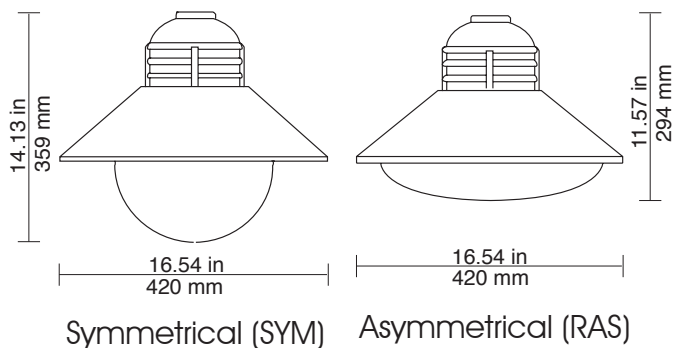




# Nova IV



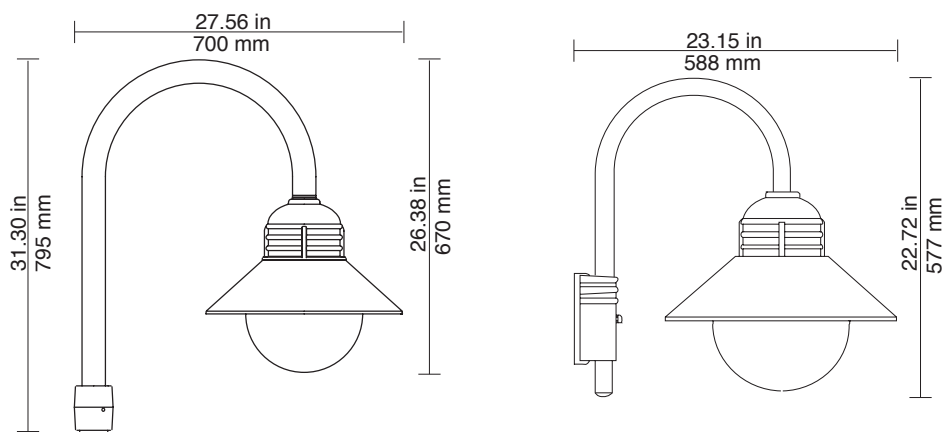
A413.2 aluminum alloy is used for strength, resistance to corrosion and reduced weight. Seven stage chromate surface treatment provides a permanent bond between metal and UV resistant polyester coating. 304, 316 stainless steel hardware Meets or exceeds UL 1598 for wet location. Call Barbican Architectural Products for details.

Combine your project with other similar designs in different sizes.

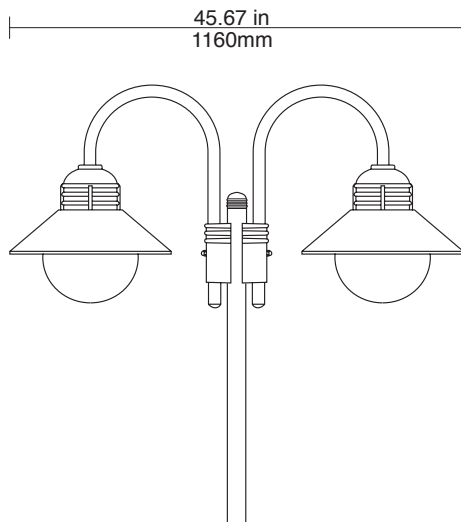
I1  
EPA: 1.94 sq. ft.  
Weight: 21.23 lbs.

F  
EPA: 0.97 sq. ft.  
Weight: 16.23 lbs.

• Nova III



I2  
EPA: 5.88 sq. ft.  
Weight: 30.46 lbs.



# norral®

# Nova IV



---

## MOUNTING - NOVA IV

---

F	Falling from Wall Arm
I1	Single Post Top
Q1	Single Post Top with Curved Arm for Q Post
Q2	Twin Post Mount with Curved Arm for Q Post

\* Custom Mounting Available Contact Factory

---

## LIGHT SOURCES - NOVA IV

---

INC 100	Incandescent Medium Base A23 120v
CFL 18 to 57	Compact Fluorescent four pin base electronic ballast 120v, 208v, 240v, 277v, 347v
MH 50 to 100	Metal Halide Medium Base ED-17 HPF Magnetic 120v, 208v, 240v, 277v, 347v
HPS 50 to 100	High Pressure Sodium Medium Base ED-17 Magnetic 120v, 208v, 240v, 277v, 347v

**NOTE:** Add 8lbs. per head for HID Source.  
All ballast/optic combinations may not be available in all  
mountings. Call factory.

---

## LENS OPTIONS - NOVA IV

---

PC	Polycarbonate Clear <i>RAS Optic Only</i>
PO	Polycarbonate Opal Globe <i>Symmetrical Only</i>

---

## COLOUR OPTIONS - NOVA IV

---

### STANDARD

BLK	Textured Black
BRZ	Textured Bronze
WHT	Textured White

### PREMIUM

GRA	Textured Graphite
PAT	Patinated Green
RALG	Dark Green
SIL	Textured Silver

Custom Colours please contact the factory for  
TIGER DRYLAC color charts.  
www.Barbican.ca or 1-800-663-5781

# Nova IV




---

## ACCESSORIES - NOVA IV

---

N/A

---

## OPTICS - NOVA IV

---

RAS Hydro formed type III cutoff reflector  
 SYM Symmetrical (Globe)




---

### ORDER EXAMPLE

Luminaire	Mounting	Source	Voltage	Optics	Lens	Finish	Accessories
Nova IV	G6/F	MH100	208	RAS	PC	BLK	N/A
Nova IV							