

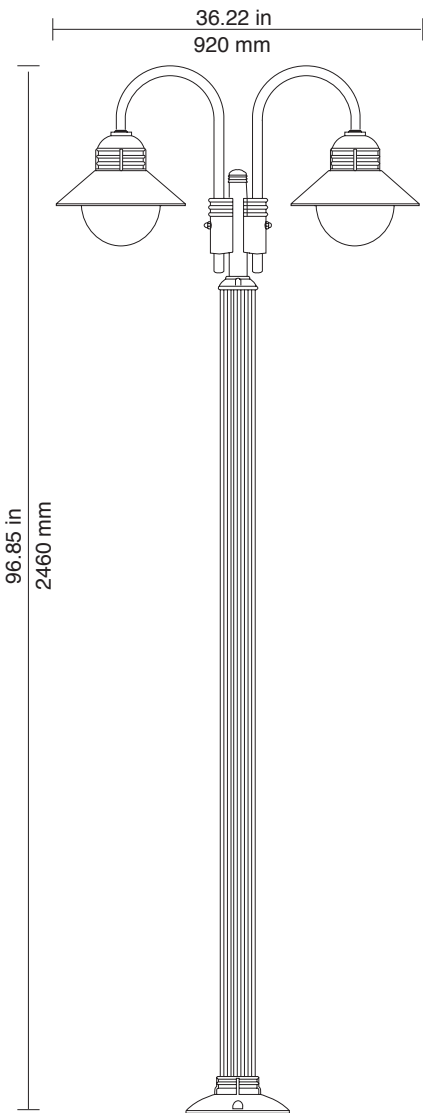
A413.2 aluminum alloy is used for strength, resistance to corrosion and reduced weight. Seven stage chromate surface treatment provides a permanent bond between metal and UV resistant polyester coating. 304, 316 stainless steel hardware Meets or exceeds UL 1598 for wet location. Call Barbican Architectural Products for details.

Combine your project with other similar designs in different sizes.

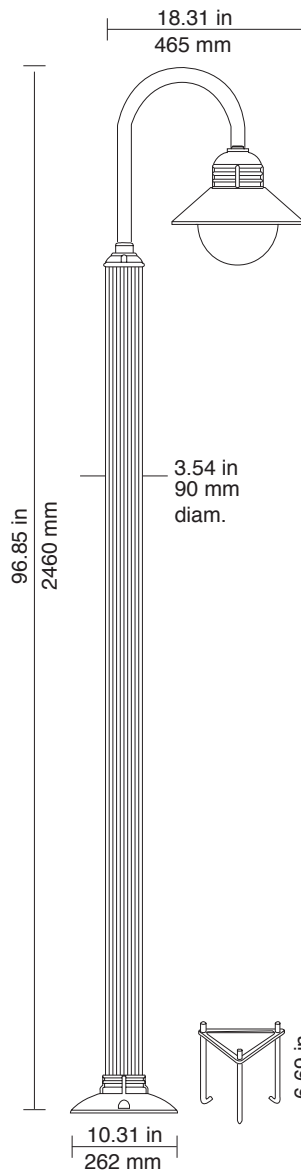
- Nova IV

Nova III

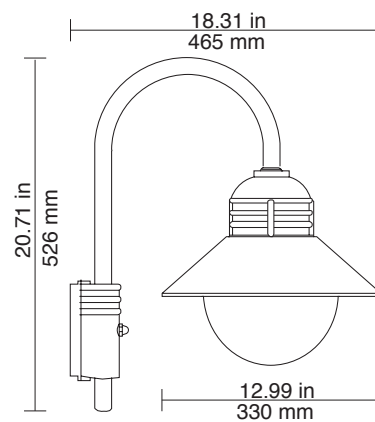
N2



N1



F



NOVA[®]

Nova III

MOUNTING - NOVA III

F	Falling from Wall Arm
N1	Single Post Top with N Post
N2	Twin Post Top with N Post

LIGHT SOURCES - NOVA III

INC 60	Incandescent Medium Base A23 120v
CFL 18 to 26	Compact Fluorescent four pin base electronic ballast 120v, 277v

LENS OPTIONS - NOVA III

PO	Polycarbonate Opal
----	--------------------

COLOUR OPTIONS - NOVA III

STANDARD

BLK	Textured Black
BRZ	Textured Bronze
WHT	Textured White

PREMIUM

GRA	Textured Graphite
PAT	Patinated Green
RALG	Dark Green
SIL	Textured Silver

Custom Colours please contact the factory for TIGER DRYLAC color charts.

www.Barbican.ca or 1-800-663-5781



Nova III



ACCESSORIES - NOVA III

None

OPTICS - NOVA III

SYM Symmetrical



ORDER EXAMPLE

Luminaire	Mounting	Source	Voltage	Optics	Lens	Finish	Accessories
Nova III	N1	INC 100	120	SYM	AO	BLK	N/A
Nova III							