

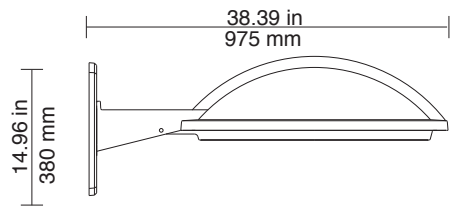


Horizon IV

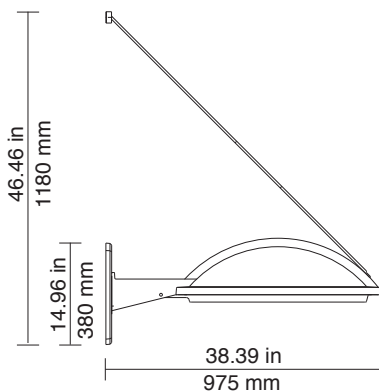
A413.2 aluminum alloy is used for strength, resistance to corrosion and reduced weight. Seven stage chromate surface treatment provides a permanent bond between metal and UV resistant polyester coating. 304, 316 stainless steel hardware Meets or exceeds UL 1598 for wet location. Label by Entela (www.entela.com) E.T.L. Label by request.

Combine your project with other similar designs in different sizes.

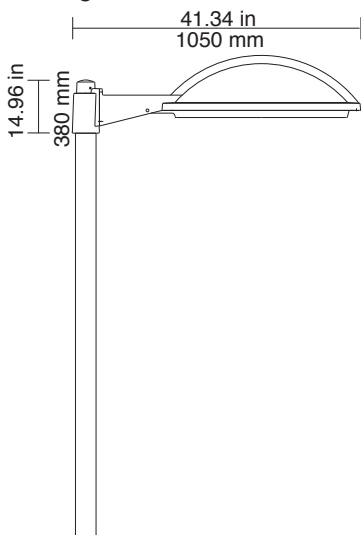
- Horizon Bollard



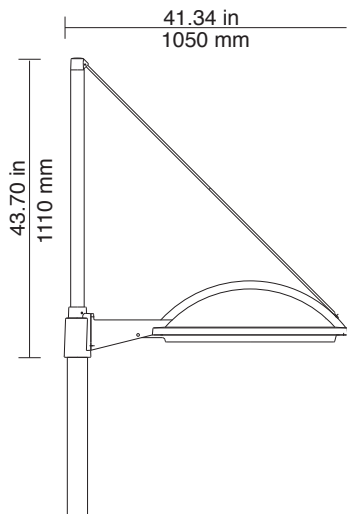
FB
Clear Tempered Glass (CTG) as shown
EPA: 1.83 sq. ft.
Weight: 19 lbs.



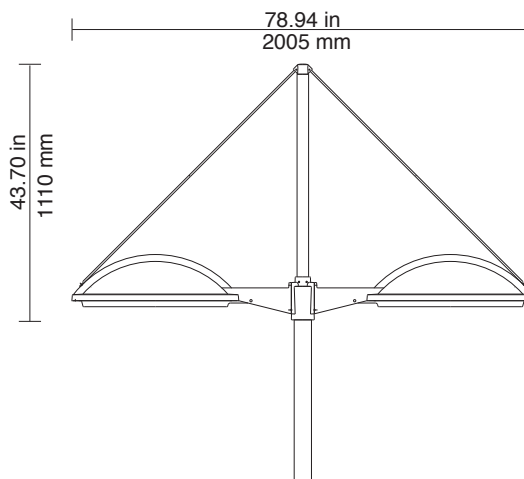
I1
EPA: 1.83 sq. ft.
Weight: 19 lbs.



I1-FB
EPA: 1.83 sq. ft.
Weight: 20 lbs.



I2-FB
EPA: 3.88 sq. ft.
Weight: 35.26 lbs.



norral®

Horizon IV

MOUNTING - HORIZON IV

F	Falling from Wall Arm
FB	Wallmount with FB Arm & Support Rod
I1	Single Post Top with FB Arm & Support Rod
I1-FB	Single Post Top withwith FB Arm & Support Rod
I2-FB	Twin Post Top with Fb Arm & Support Rod

* Custom Mounting Available Contact Factory

LIGHT SOURCES - HORIZON IV

INC 150	Incandescent Medium Base A23 120v
CFL 18 to 57	Compact Fluorescent four pin base electronic ballast 120v, 208v, 240v, 277v, 347v
MH 50 to 175	Metal Halide Medium Base ED-17 HPF Magnetic 120v, 208v, 240v, 277v, 347v
HPS 50 to 150	High Pressure Sodium Medium Base ED-17 Magnetic 120v, 208v, 240v, 277v, 347v

NOTE: Add 8lbs. per head for HID Source.
All ballast/optic combinations may not be available in all mountings. Call factory.

LENS OPTIONS - HORIZON IV

CTG	Clear Tempered Glass
-----	----------------------

COLOUR OPTIONS - HORIZON IV

STANDARD

BLK	Textured Black
BRZ	Textured Bronze
WHT	Textured White

PREMIUM

GRA	Textured Graphite
PAT	Patinated Green
RALG	Dark Green
SIL	Textured Silver

Custom Colours please contact the factory for
TIGER DRYLAC color charts.
www.Barbican.ca or 1-800-663-5781



Horizon IV



ACCESSORIES - HORIZON IV

BA	Single Banner Arm
BA2	Twin Banner Arm
GFI	Ground Fault Receptacle in Post Base
PH	Photo Cell
QR	Quartz Re-Strike

OPTICS - HORIZON IV

RAS	Hydro formed type III cutoff reflector
TYPE II	Hydro-formed type II cutoff reflector
TYPE III	Specular aluminum cutoff reflector
TYPE V	Specular aluminum type V cutoff reflector



ORDER EXAMPLE

Luminaire	Mounting	Source	Voltage	Optics	Lens	Finish	Accessories
Horizon IV	FB	HPS150	347	TYPE II	CTG	BLK	PH
Horizon IV							