





Dilmun

A413.2 aluminum alloy is used for strength, resistance to corrosion and reduced weight. Seven stage chromate surface treatment provides a permanent bond between metal and UV resistant polyester coating. 304, 316 stainless steel hardware Meets or exceeds UL 1598 for wet location. Call Barbican Architectural Products for details.

---

**COLOUR OPTIONS - DILMUN**

---

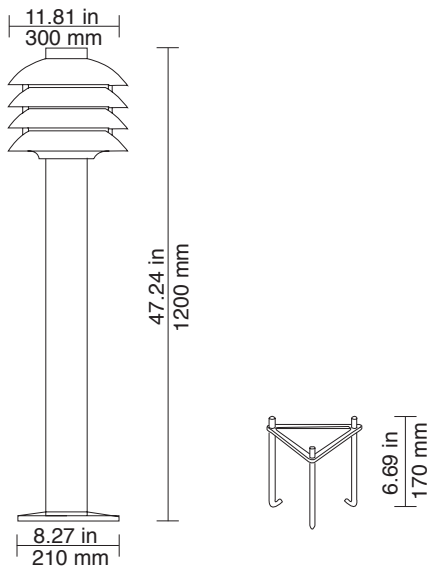
**STANDARD**

- BLK Textured Black
- BRZ Textured Bronze
- WHT Textured White

**PREMIUM**

- GRA Textured Graphite
- PAT Patinated Green
- RALG Dark Green
- SIL Textured Silver

Custom Colours please contact the factory for TIGER DRYLAC color charts. [www.Barbican.ca](http://www.Barbican.ca) or 1-800-663-5781




---

**MOUNTING - DILMUN**

---

- BL Bollard Long with Anchors

---

**LENS OPTIONS - DILMUN**

---

- PC Polycarbonate Clear Lens

---

**LIGHT SOURCES - DILMUN**

---

- INC 60 Incandescent Medium Base A23 120v
- CFL 18 to 42 Compact Fluorescent four pin base electronic ballast 120v, 208v, 240v, 277v, 347v
- MH 50 to 70 Metal Halide Medium Base ED-17 HPF Magnetic 120v, 208v, 240v, 277v, 347v
- HPS 35 to 70 High Pressure Sodium Medium Base ED-17 Magnetic 120v, 208v, 240v, 277v, 347v

norral®