

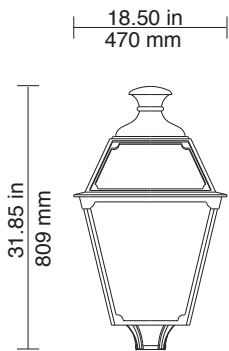


Boulevard

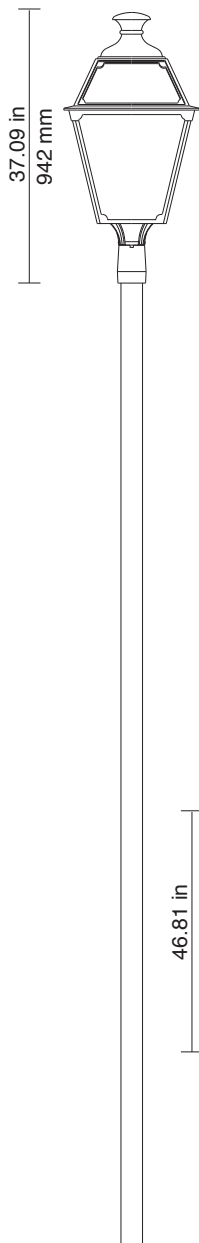
A413.2 aluminum alloy is used for strength, resistance to corrosion and reduced weight. Seven stage chromate surface treatment provides a permanent bond between metal and UV resistant polyester coating. 304, 316 stainless steel hardware Meets or exceeds UL 1598 for wet location. Call Barbican Architectural Products for details.

Combine your project with other similar designs in different sizes.

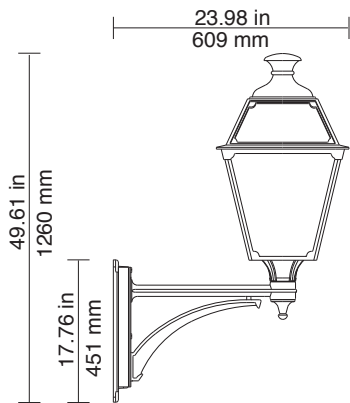
- Avenue
- Tenerife
- Classic
- Torino
- City
- Village



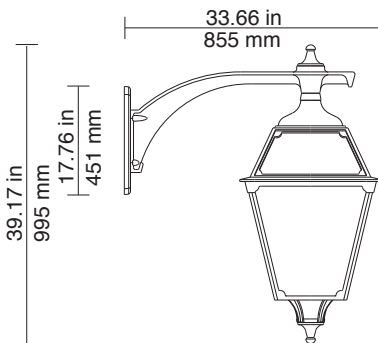
I1
EPA: 2.37 sq. ft.
Weight: 27.56 lbs.



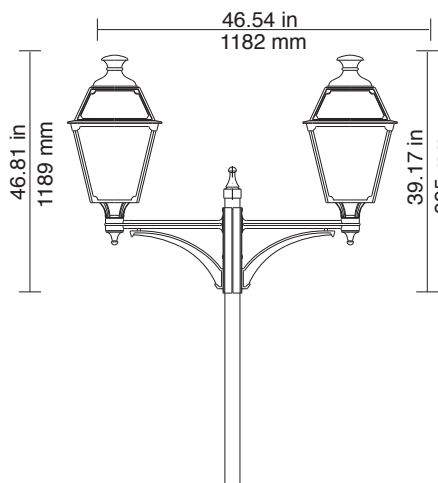
G1/A
EPA: 3.02 sq. ft.
Weight: 38.56 lbs.



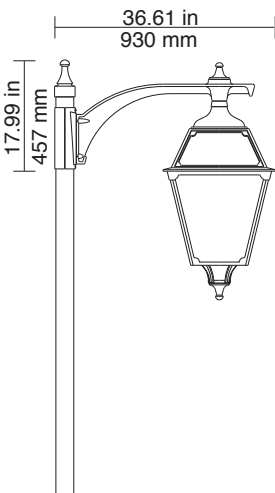
G6/F
EPA: 2.91 sq. ft.
Weight: 39.56 lbs.



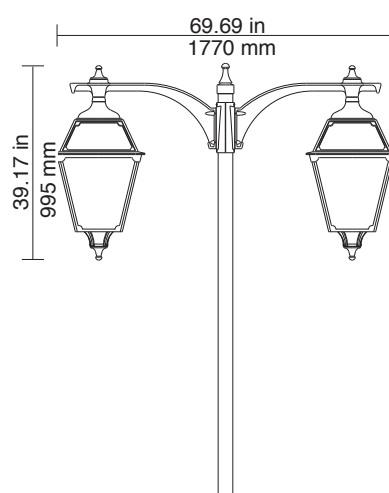
I2-G1/A
EPA: 6.04 sq. ft.
Weight: 73.12 lbs.



I1-G6/F
EPA: 2.91 sq. ft.
Weight: 39.56 lbs.



I2-G6/F
EPA: 5.82 sq. ft.
Weight: 78.12 lbs.



noral®

Boulevard



MOUNTING - BOULEVARD

G1/A	Ascending From G1 Arm
I2-G1/A	Twin Post Top Ascending from G1 Arm
G6/F	Falling from G6 Arm
I2-G6/F	Twin post mount falling from G6 Arm
I1-G6/F	Single post mount falling from G6 Arm
I1	Single Post Top

* Custom Mounting Available Contact Factory

LIGHT SOURCES - BOULEVARD

INC 300W	Incandescent Medium Base A23 120v
CFL 18 to 57	Compact Fluorescent four pin base electronic ballast 120v, 208v, 240v, 277v, 347v
MH 50 to 175	Metal Halide Medium Base ED-17 HPF Magnetic 120v, 208v, 240v, 277v, 347v
HPS 50 to 175	High Pressure Sodium Medium Base ED-17 Magnetic 120v, 208v, 240v, 277v, 347v

NOTE: Add 8lbs. per head for HID Source.
All ballast/optic combinations may not be available in all
mountings. Call factory.

LENS OPTIONS - BOULEVARD

AC	Acrylic Clear
AO	Acrylic Opal

COLOUR OPTIONS - BOULEVARD

STANDARD

BLK	Textured Black
BRZ	Textured Bronze
WHT	Textured White

PREMIUM

GRA	Textured Graphite
PAT	Patinated Green
RALG	Dark Green
SIL	Textured Silver

Custom Colours please contact the factory for
TIGER DRYLAC color charts.
www.Barbican.ca or 1-800-663-5781

Boulevard



ACCESSORIES - BOULEVARD

- LB Ladder bar
- BA Single banner arm
- BA2 Twin banner arm
- GF1 Ground fault receptacle in post base
- PH Photo cell

OPTICS - BOULEVARD

- TSR Top symmetrical reflector (bare lamp)
- RAS Hydro formed type III cutoff reflector
- RR Ring reflector
- RBIII Type III borosilicate glass refractor
- RBV Type V borosilicate glass refractor
- TYPE II Specular aluminum type II cutoff reflector
- TYPE III Specular aluminum type III cutoff reflector

ORDER EXAMPLE

Luminaire	Mounting	Source	Voltage	Optics	Lens	Finish	Accessories
Boulevard	I1	MH175	240	RAS	PC	BLK	PH
Boulevard							