

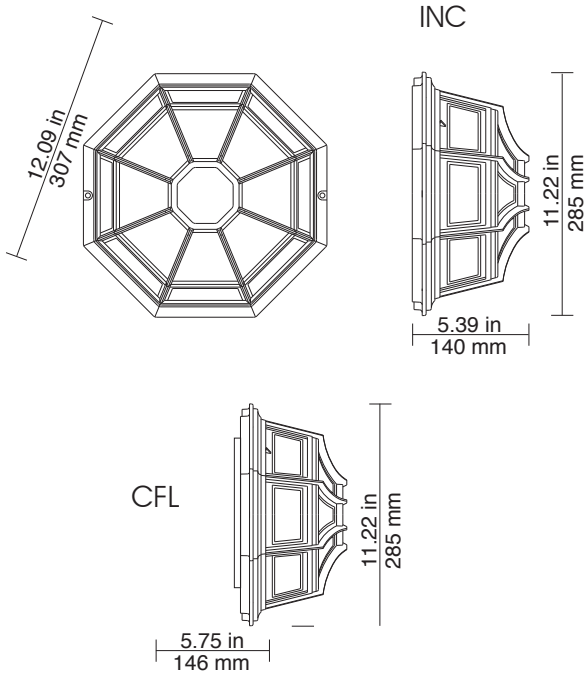
Apollo



A413.2 aluminum alloy is used for strength, resistance to corrosion and reduced weight. Seven stage chromate surface treatment provides a permanent bond between metal and UV resistant polyester coating. 304, 316 stainless steel hardware Meets or exceeds UL 1598 for wet location. Call Barbican Architectural Products for details.

Combine your project with other similar designs in different sizes.

- Ambassador
- Consul
- Cardinal
- Regent
- Senator



COLOUR OPTIONS - APOLLO

STANDARD

- BLK Textured Black
- BRZ Textured Bronze
- WHT Textured White

PREMIUM

- GRA Textured Graphite
- PAT Patinated Green
- RALG Dark Green
- SIL Textured Silver

Custom Colours please contact the factory for TIGER DRYLAC color charts. www.Barbican.ca or 1-800-663-5781

MOUNTING - APOLLO

- SC Surface Ceiling Mount

LENS OPTIONS - APOLLO

- PC Polycarbonate Clear Paterned Lens

LIGHT SOURCES - APOLLO

- INC 60 Incandescent Medium Base A23 120v
- CFL 18 to 26 Compact Fluorescent four pin base electronic ballast 120v, 208v, 240v, 277v, 347v

noral[®]