

# Pendants

**A** smaller mate to the 350 and the 250 series the LD240PS is ideal for smaller volume spaces, such as bedrooms, dormitories and smaller offices. Lamping and colour options are available to solve many lighting problems.

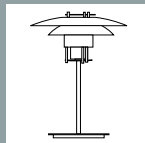
LD240PS-WBL  
White/Black



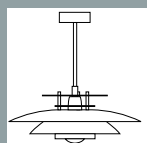
LD240PS-GBS  
Grey/Brushed Steel



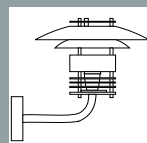
## Related Models



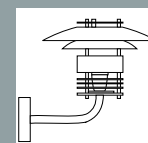
LD240T



LD250PS



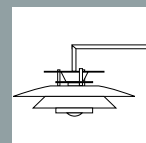
LD230EW



LD240EW

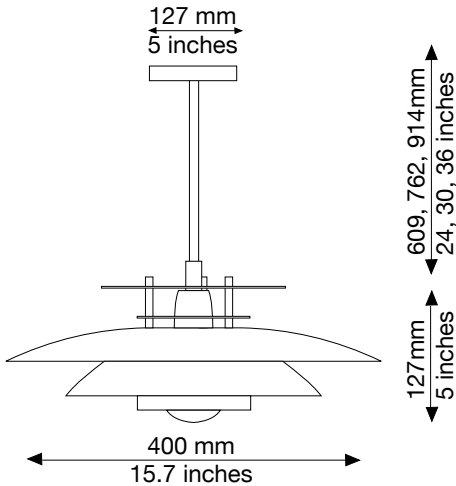


LD250FL



LD240WM

# Technical Specifications



## Lamping for Pendant Stem (PS)

Source	Ballast	Voltages	Restrictions
Inc 100W	none	120	
CFL up to 26W	electronic	All voltages	2" x 6" Ceiling Canopy Required
Metal Halide up to 50W	electronic	120, 277	2" x 6" Ceiling Canopy Required

### Colours:

White/White -WW

White/Black-WBL

Grey/Brushed Steel-GBS

White/Brushed Steel-WBS

Custom/Custom-CC (See options on page 3, specify requirements at time of quotation for accurate pricing)

### Options:

Hang Straight-HS

### Part Number Example:

**LD-240PS** Pendant, White with White Accents, Compact Fluorescent 26W, 277 Volts, Hang Straight.

Part number as follows:

LD-240PS-WW-CF26W-277-HS

Model	—LD240PS	WW	CF26W	277	HS
Colour	_____	_____	_____	_____	_____
Source	_____	_____	_____	_____	_____
Voltage	_____	_____	_____	_____	_____
Option	_____	_____	_____	_____	_____