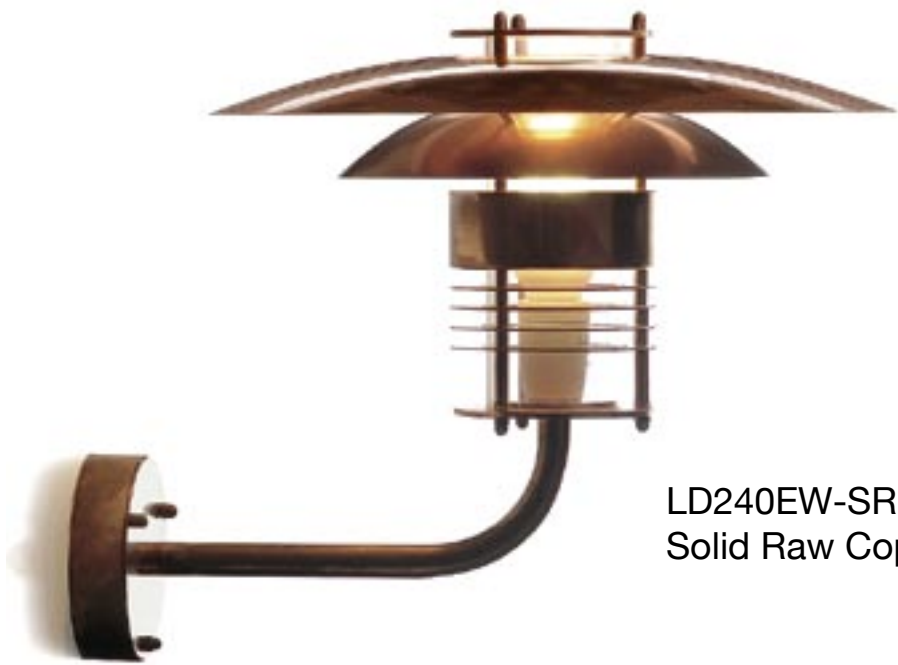


Exterior Brackets



LD240EW-SRC
Solid Raw Copper

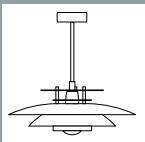


LD240EW-HGS
Hot Dipped
Galvanized Steel

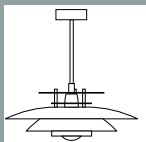
RELATED MODELS



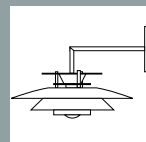
LD240T



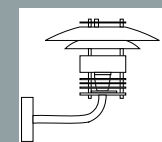
LD240PS



LD250PS



LD240WM

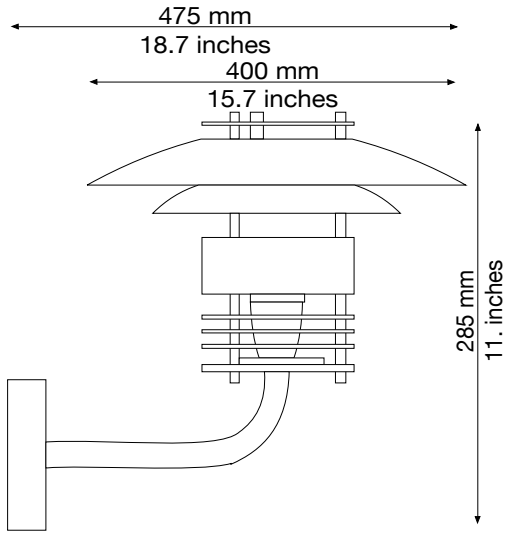


LD230EW



LD250FL

Technical Specifications



Lamping Options			
Source	Ballast	Voltages	Restrictions
Inc 100W	none	120	
CFL up to 26W	electronic	120, 277	Requires 2" x 6" Wall Canopy
Metal Halide 20W or 39W	electronic	120, 277	Requires 2" x 6" Wall Canopy, Opal Difuser required

Colours:

Solid Raw Copper-SRC (will patina over time)

Hot Dipped Galvanized Steel-HGS

Custom/Colour (See options on page 3, specify requirements at time of quotation for accurate pricing)

Custom Paint is applied over the Hot Galvanized Steel-CC

Part Number Example:

LD-240EW Exterior Wall, SRC, 39W Metal Halide, 277 Volts.

Part number as follows:

LD-240EW-SRC-MH39W-277

Model	—	240EW SRC MH39W 277
Colour	_____	
Source	_____	
Voltage	_____	